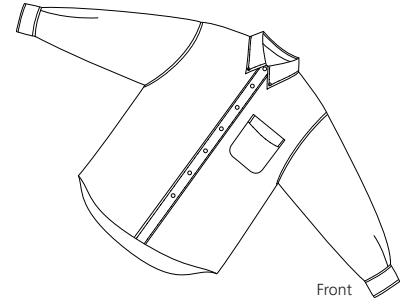
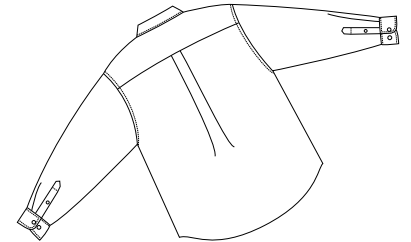


Long Sleeve Twill Shirt

PORT AUTHORITY®



Front



Back

S600T

- * 5-ounce * 100% cotton twill * Garment washed * Double-needle stitched
- * Button-down collar * Patch pocket * Back pleat
- * Button-through sleeve plackets * Adjustable cuffs

Care Instructions:

Machine wash cold with like colors.
Do not bleach. Do not dry clean.
Tumble dry low. Warm iron if necessary.

Finished Measurements in Inches

Size	XS	S	M	L	XL	2XL	3XL	4XL	5XL	6XL
Collar	15.5	16	16.5	17	17.5	18	18.5	19	not available	not available
Width	20	21.5	23	24.5	26	27.5	29	30.5	35.5	37
Length	26.5	28.5	32	32.5	34	34.5	35.5	36	36.5	37
Sleeve	31	32.5	34.5	35.5	37	38	39	40	41	42
Pocket	5/5.5	5/5.5	5.75/6	5.75/6	5.75/6	5.75/6	6/6.25	6/6.25	6/6.25	6/6.25

Collar measured by circumference. Chest width measured 1" below arm hole. Pocket WxH.
Body length measured from back neck seam to hem. Sleeve length measured from center back to hem.

Colors

	Black
	Bright Burgundy
	Classic Navy
	Faded Blue
	Faded Olive
	Khaki
	Stone
	White

Color Chart

Colors	Black	Bright Burgundy	Classic Navy	Faded Blue
Textile PMS	19-4203TC	19-1656TC	19-4010TC	18-3945TC
General PMS	Process Black	194C	532C	7455C
Colors	Faded Olive	Khaki	Stone	White
Textile PMS	18-0510TC	17-1107TC	14-4501TC	11-0601TC
General PMS	417C	403C	7529C	No Match

Please Note:

Colors shown are approximate and for reference only. For closest match see PMS colors, or for exact match, returnable samples and grommeted samples are available.